

LABORATORY ROLLER APPLICATOR TYPE «DWE»

Dosed coating with engraved roll

This apparatus is specially suitable for controlled application by means of an engraved roller with a doctor blade. Applications are possible with solvent containing, aqueous an 100% systems as well as UV-lacquers etc. onto artificial leather, foils, paper, textiles, non-wovens etc.

The applicator roller is driven by air motor. The various rollers are easily interchangeable and can be attached at the top or at the bottom.



www.mathisag.com

Kinds of application

Two kinds of application are possible:

- applicator roller at the top and liquor in the doctor blade with sealings at the sides
- applicator roller at the bottom and liquor in the trough with immersed roller

Rotating applicator roll

Furthermore the applicator roller can, in the lowered position, be kept in constant rotation which prevents a drying – especially of solvent containing lacquers – and therefore results in an even application.

Easy cleaning

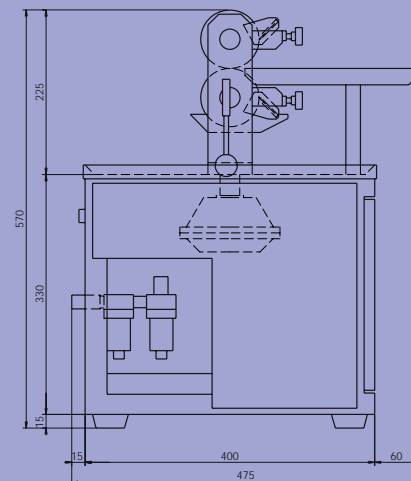
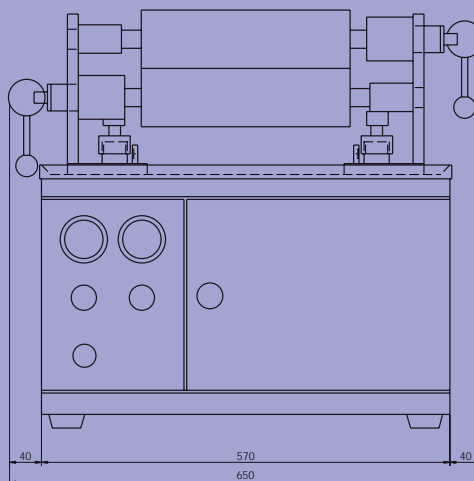
The easily attachable trough enables a fast cleaning resp. change of the lacquer. In order to make cleaning as easy as possible a hand spray and a flexible air jet are attached.

Engraved rollers

Various engravings are available upon customers request.

Technical information

Roller width:	290 mm
Roller diameter:	80 mm
Roller speed:	0 - 10 m/min
Air connection:	max. 4 bar
Air consumption:	ca. 300 l/min
Weight:	~55 kg



Werner Mathis AG

Rütisbergstrasse 3
CH-8156 Oberhasli/Zürich, Switzerland
Telefon: +41 44 852 50 50
Telefax: +41 44 850 67 07
info@mathisag.com
www.mathisag.com

Werner Mathis U.S.A. Inc.

2260 HWY 49 N.E./P.O. Box 1626
Concord N.C. 28026, U.S.A.
Phone: +1 704 786 6157
Fax: +1 704 786 6159
usa@mathisag.com

Mathis (India) PVT. LTD.

No.01, Shreeji Arcade
1st Floor, Opp. Nitin Co.
Almeida Road, Thane 400 602
Phone/Fax: +91 22 2538 5472
india@mathisag.com

Aparelhos de laboratorio Mathis Ltda

Estrada dos Estudantes 261
CEP 06707-050 COTIA S.P., Brasil
Phone: +55 11 3883 6777
Fax: +55 11 3883 6750
brasil@mathisag.com