

# WASHING UNIT TYPE «WU»

## FOR WASHING OUT TEXTILE SAMPLES

### AFTERTREATMENT - OPTIMISED

The washing unit «WU» is used to wash out coloured and printed textile samples. The washing containers, which are steam-heated, can be configured differently (number of containers and volume). These containers hold the samples in question.

The textile samples are rotated and washed out carefully by agitating the soaking solution in the washing containers and by means of the special geometry and design of the inside of the containers. The washing unit «WU» facilitates all types of aftertreatment under precise and reproducible conditions.

The modular construction takes full account of the customer's requirements in terms of the number and volume of the washing containers.



**TECHNICAL DATA**

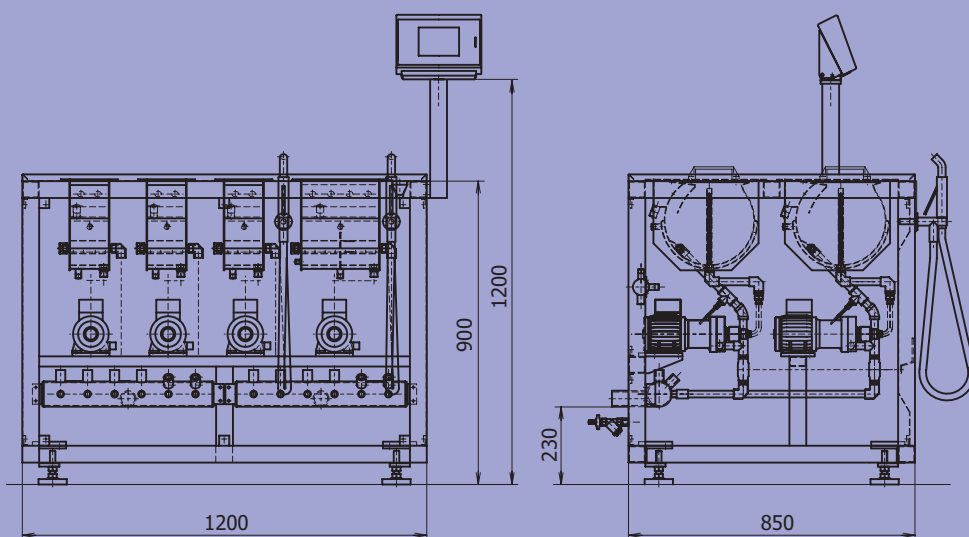
Number of washing containers:	Customer specific (2, 4, 6, ... St.)
Content per washing container:	Customer specific (5 l, 10 l, ... l)
Temperature range:	20 – 95 °C
Temperature gradient:	0.3 – 4 °C / Min.
Heating system:	Indirect steam (optionally electric)
Circulation pump:	10 l/min for each washing container
Process controller:	Univision
Dimensions:	Customer specific

**PROCESS – FLEXIBLE AND REPRODUCIBLE**

Generally, the aftertreatment of dyeings is not considered to be of great significance. Very often the sample is placed in a bucket, chemicals are added, the bath plus sample is agitated slightly and the temperature mostly neglected.

A reproducible aftertreatment, however, is very important for a correct and comprehensive evaluation of the dyed sample. This not only applies to the fastness but also to the development of the dye shade and the colour yield.

Thanks to its flexible construction and fully reproducible processes, the washing unit «WU» fulfils every need in terms of aftertreatment.

**EXAMPLE**

Washing unit «WU» with 6 washing containers.

Volume of the washing containers:

- 3 containers of 5 litres
- 2 containers of 10 litres
- 1 container of 15 litres

**Werner Mathis AG**

Rütisbergstrasse 3  
CH-8156 Oberhasli/Zürich, Switzerland  
Telefon: 41(0)44-852 5050  
Telefax: 41(0)44-850 6707  
E-mail info@mathisag.com  
www.mathisag.com

**Werner Mathis U.S.A. Inc.**

2260 HWY 49 N.E./P.O. Box 1626  
Concord N.C. 28026, U.S.A.  
Phone: 1-704-786-6157  
Fax: 1-704-786-6159  
E-mail: usa@mathisag.com

**Aparelhos de laboratorio Mathis Ltda**

Estrada dos Estudantes 261  
CEP 06700 COTIA S.P., Brasil  
Phone: 55 (0)11-4612-2333  
Fax: 55 (0)11-4612-2598  
E-mail: brasil@mathisag.com

**Mathis (India) PVT. LTD.**

203, Swastic plaza  
Pokhran Road No. 2, Thane 400 601  
Phone: +91 22 2585 4304  
E-mail: india@mathisag.com